

MODEL : ZA4747 – 1G3G

- Class A Solid state
- Utilises the latest GaN-HEMT
- Broadband(Instantaneous Single Band)
- Linear Output Power(1dB Gain Compression)
- Low Distortion
- Internal Systems Diagnostics and Status Indicator
- 19" Rack / 3U / Bench Case
- 3Years Standard Warranty

Maintenance

- Amplifier Designed For Minimal Maintenance
 - ⇒ Modular Design
 - ⇒ Repairs with Minimum Adjustments
- Rapid Diagnostic
- Minimal Downtime

Applications

- EMC Tests
- RF Tests And Instrumentation
- Radio communication
- Measurement And Research Laboratories

Built – In Protection

- High Temperature
- Supply Current and Voltage
- FWD Over Power
- REF Over Power

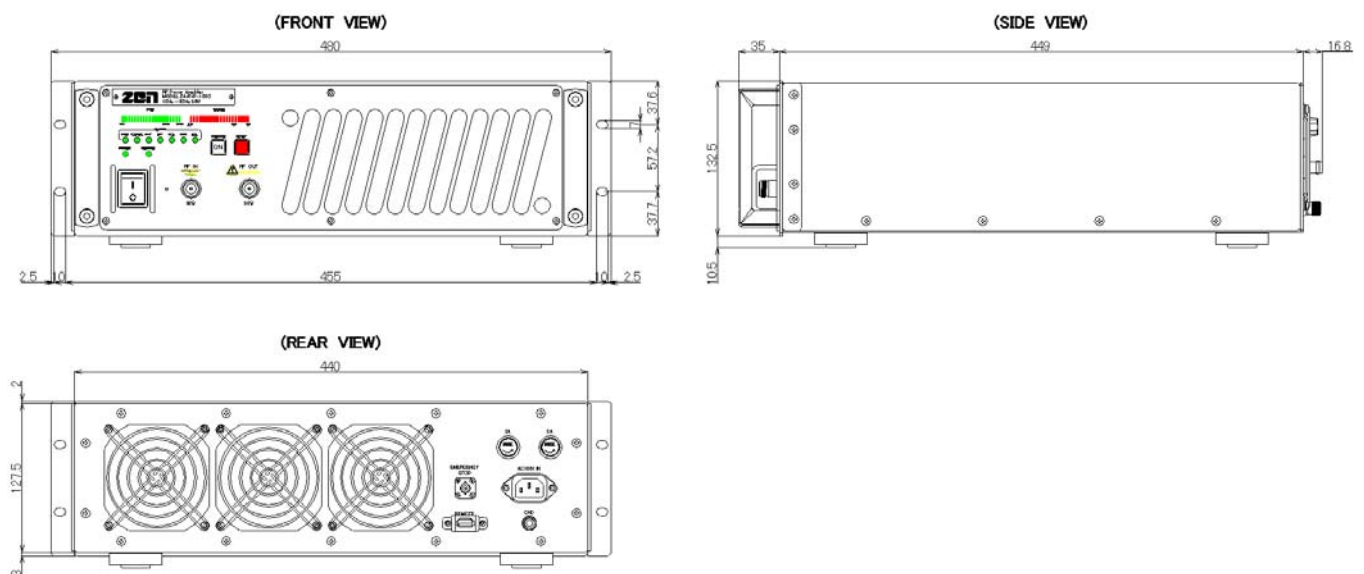
Other Amplifiers Available

- ZA4343 – 1G3G ⇒ 20W
- ZA4545 – 1G3G ⇒ 30W
- ZA4949 – 1G3G ⇒ 80W
- ZA5151 – 1G3G ⇒ 120W
- ZA5353 – 1G3G ⇒ 200W

Additional Options

- RF Connector Type
- RF Connector on Rear Panel
- RF Sample Port (Front or Rear Panel)
- Detected Sample Port (Front or Rear Panel)
- RF Input Switch
- Gain Control
- IEEE488 Control (1U High)

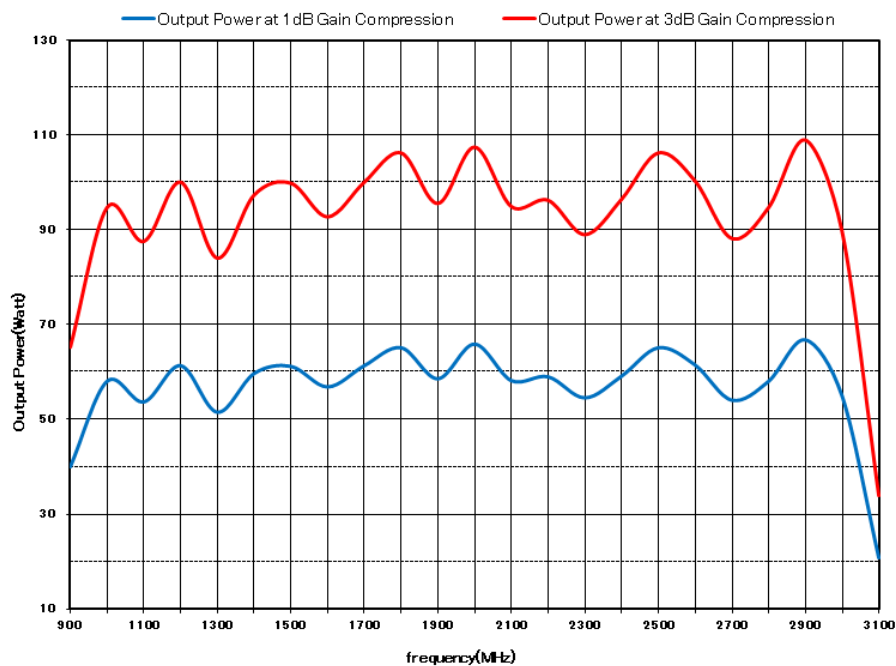
Outline Drawing ※ In Millimeters



Specifications

• Frequency Bandwidth	1GHz - 3GHz
• Rated Output Power(1dB Gain Compression)	50W CW (min)
• Class Type	Class A
• Gain	47dB (min)
• Gain Flatness	±2.0dB (max)
• Third Order Intercept Point	57dBm (typical)
• Impedance	50ohms nominal
• Harmonics	-20dBc (max)
• Spurious	-70dBc (max) -80dBc (typical)
• Input VSWR	2:1 (max)
• Output VSWR	2:1 (max)
• RF Input Connector	N-Female (Front Panel)
• RF Output Connector	N-Female (Front Panel)
• Input Power	+3dBm (max)
• Operating Temperature	0°C - +40°C
• Room Temperature Storage	-20°C - +70°C
• Cooling	Forced Air (Self Contained Fans)
• Power Voltage	100VAC, 50 - 60Hz, Single Phase
• Rated Current	8A at 100VAC
• Weight	25kg
• Dimensions	(W)480 x (D)450 x (H)132.5 mm (EIA/3U)
• Safety Interlock	Connector Type BNC-Female

Model ZA4747-1G3G Typical Power Output



※ Continual operation exceeded specified power-output may cause product damage.