

MODEL : ZSA4848 – 80M1G

- Class AB Solid state
- Utilises the latest LDMOS
- Broadband(Instantaneous Single Band)
- Linear Output Power(1dB Gain Compression)
- Low Distortion
- Internal Systems Diagnostics and Status Indicator
- 19" Rack / 3U / Bench Case
- 3Years Standard Warranty

Built – In Protection

- High Temperature
- Supply Current and Voltage
- FWD Over Power
- REF Over Power

Maintenance

- Amplifier Designed For Minimal Maintenance
- Rapid Diagnostic
- Minimal Downtime

Other Amplifiers Available

- ZSA4646 – 80M1G ⇒ 35W
- ZSA5050 – 80M1G ⇒ 100W
- ZSA5353 – 80M1G ⇒ 180W
- ZSA5757 – 80M1G ⇒ 500W

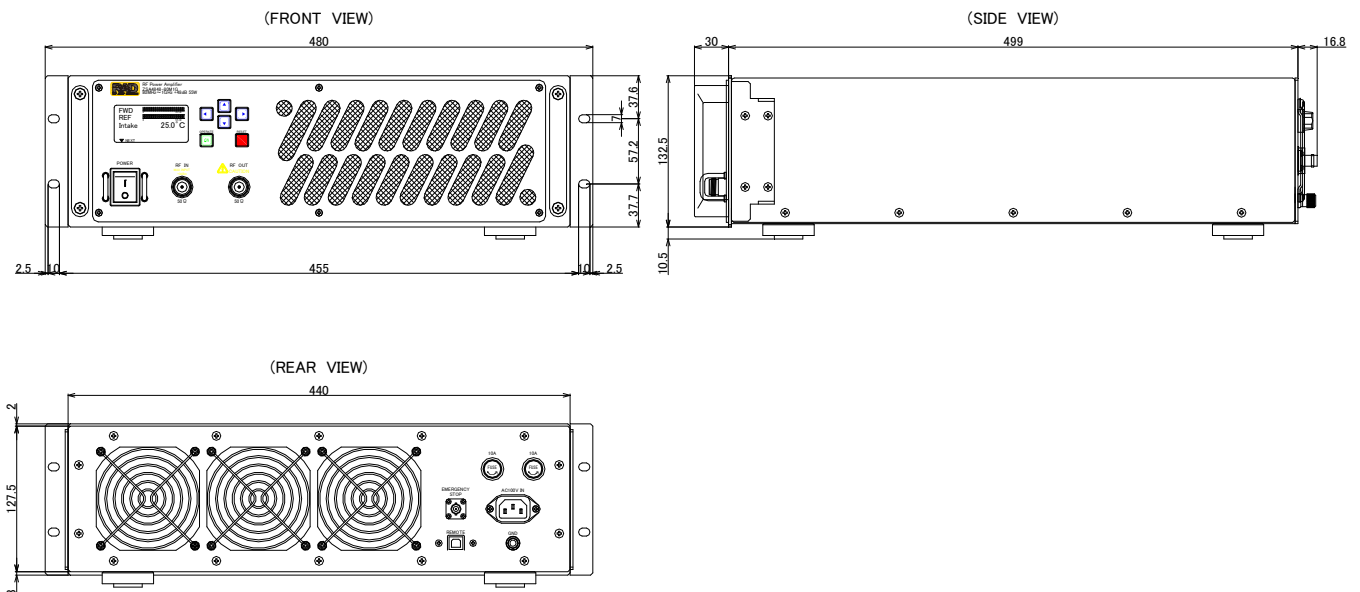
Applications

- EMC Tests
- RF Tests And Instrumentation
- Radio communication
- Measurement And Research Laboratories

Additional Options

- RF Connector Type
- RF Connector on Rear Panel
- RF Sample Port (Front or Rear Panel)
- Detected Sample Port (Front or Rear Panel)
- RF Input Switch
- Gain Control
- IEEE488 Control

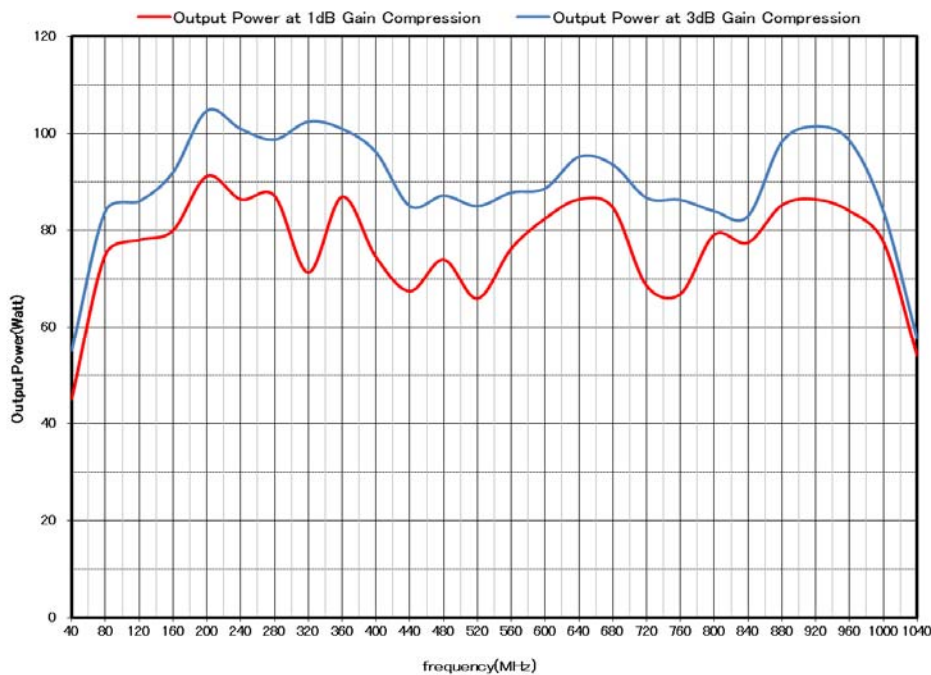
Outline Drawing ※ In Millimeters



Specifications

• Frequency Bandwidth	80MHz - 1GHz
• Rated Output Power(1dB Gain Compression)	55W CW (min)
• Class Type	Class AB
• Gain	48dB (min)
• Gain Flatness	±2.0dB (max)
• Third Order Intercept Point	58dBm (typical)
• Impedance	50ohms nominal
• Harmonics	-20dBc (max)
• Spurious	-70dBc (max)
	-80dBc (typical)
• Input VSWR	2:1 (max)
• Output VSWR	3:1 (max)
• RF Input Connector	N-Female (Front Panel)
• RF Output Connector	N-Female (Front Panel)
• Input Power	+3dBm (max)
• Operating Temperature	0°C - +40°C
• Room Temperature Storage	-20°C - +70°C
• Cooling	Forced Air (Self Contained Fans)
• Power Voltage	100VAC, 50 - 60Hz, Single Phase
• Rated Current	8A at 100VAC
• Weight	20kg
• Dimensions	(W)480 x (D)500 x (H)132.5 mm (EIA/3U)
• Safety Interlock	Connector Type BNC-Female

Model ZSA4848-80M1G Typical Power Output



※ Continual operation exceeded specified power-output may cause product damage.